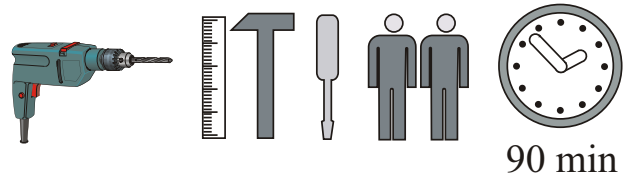
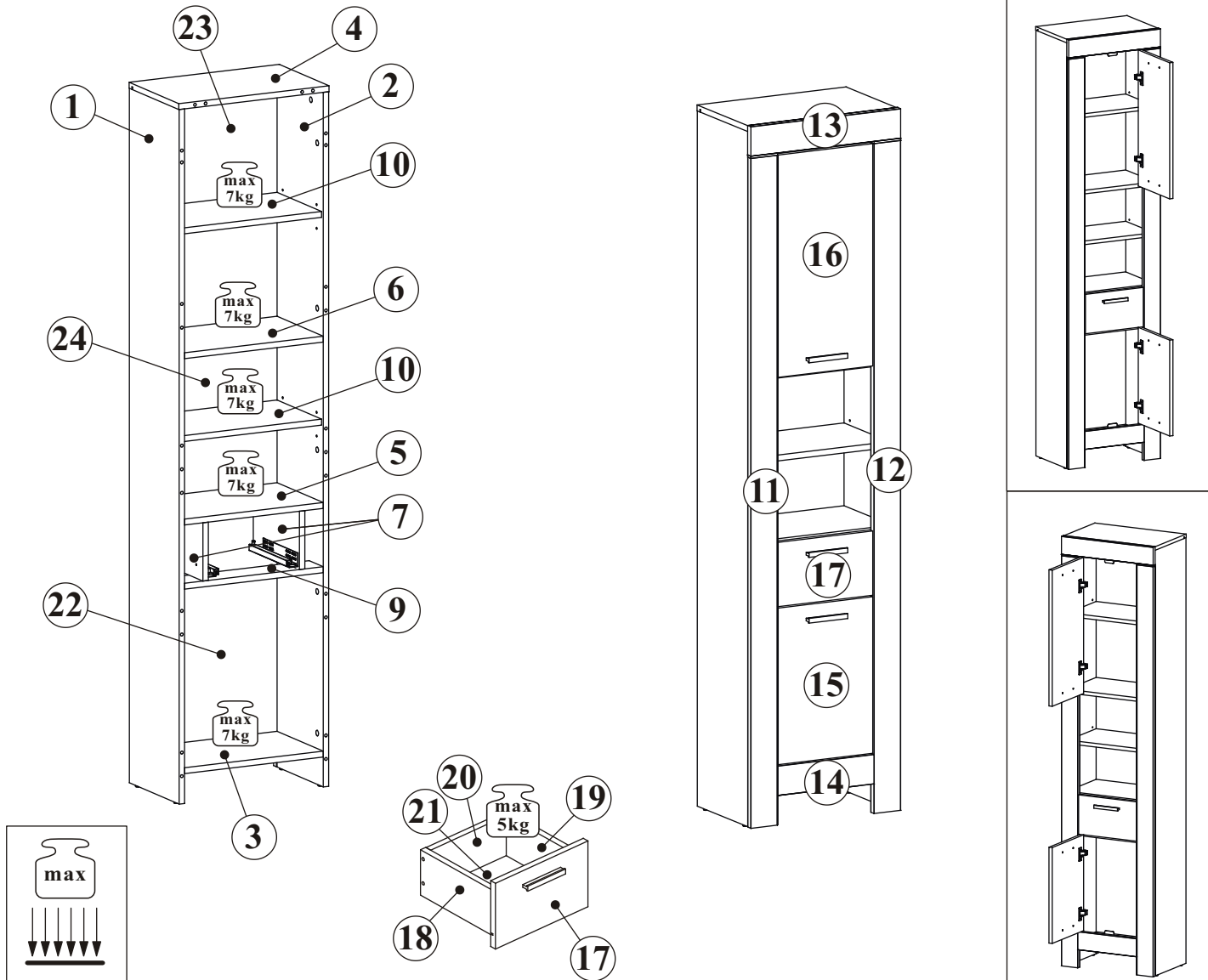


# BALIN 70-185-\_\_-6

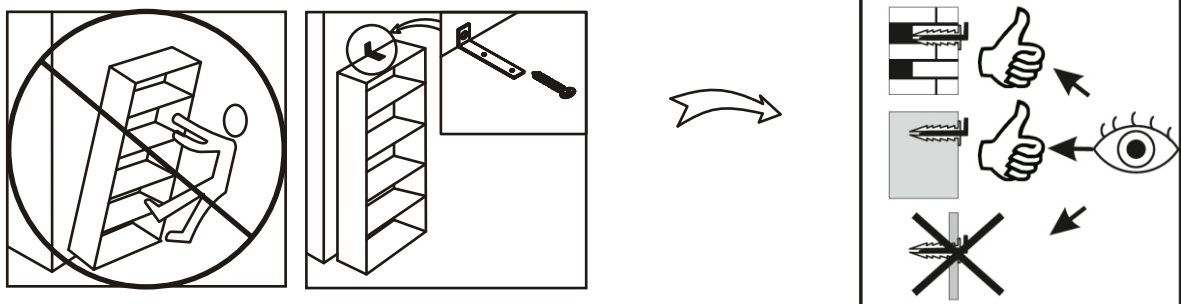
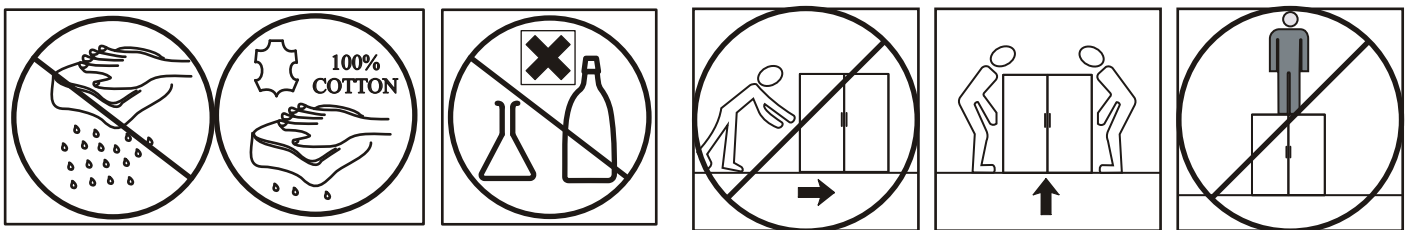
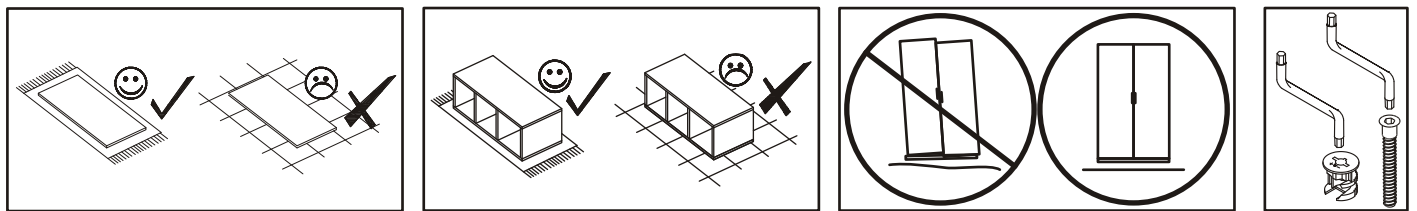
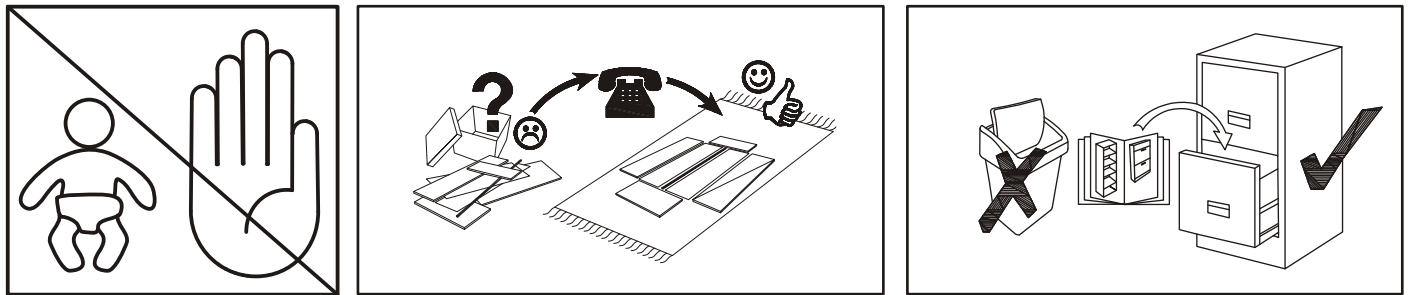
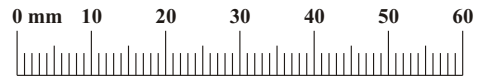


NO	Dim.		Col.-No	Qty
1	1883	282	1	1
2	1883	282	1	1
3	414	282	1	1
4	448	282	1	1
5	414	262	1	1
6	414	262	1	1
7	158	262	1	2
9	414	80	1	1
10	414	252	1	2
11	1814	80	1	1
12	1814	80	1	1
13	450	80	1	1
14	290	80	1	1

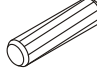
NO	Dim.		Col.-No	Qty
15	424	284	1	1
16	602	284	1	1
17	284	174	1	1
18	250	120	1	1
19	250	120	1	1
20	232	106	1	1
21	254	244	1	1
22	671	426	1	1
23	674	426	1	1
24	449	426	1	1

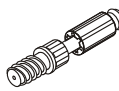
BALIN 70-185-\_\_-6

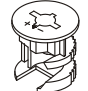
A1 x42 ø8x36	B4 x32	B5 x36 ø15x12	G5 x36	B2 x2 Ø7x62	I2 x4
E13 x4	E12 x4 H=2	T03 x3 L-116mm	UP6 x6 UPØ4x30	Z2 x4 Ø5	PL x2
QU x1 L-250mm	D20 x4 ESØ6x9,5	D10 x14 USØ3,5x13	B11 x8 Ø7x50	G4 x8	D13 x4 USØ3,5x20
S1 x15	G16 x6	UP13 x12 UPØ3x16	BL1 x2 42X42	L1 x1	KR1 x1
G2 x1	G7 x8				

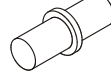



1

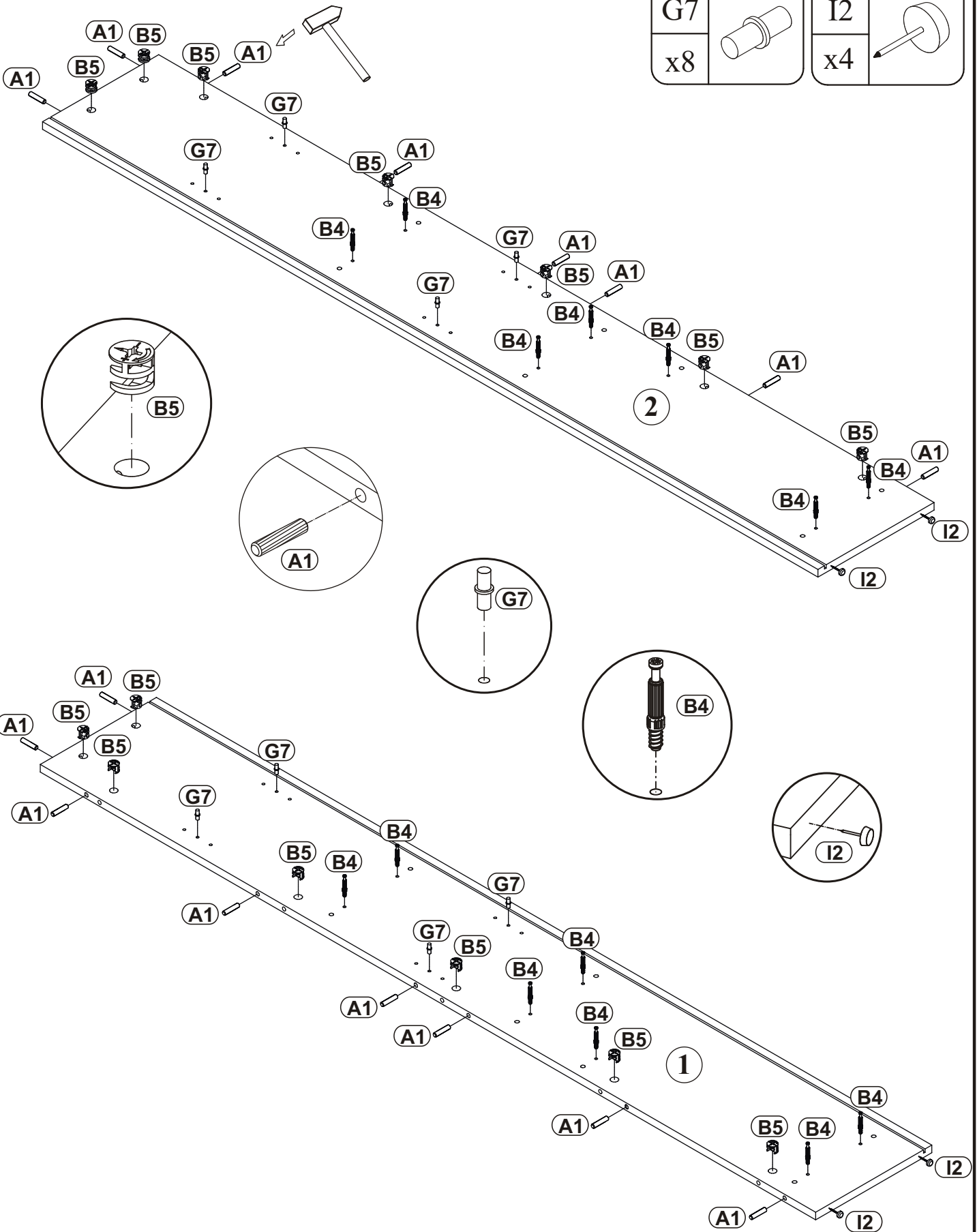
A1	
x16	ø8x36

B4	
x14	

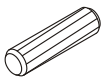
B5	
x14	ø15x12

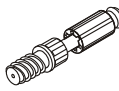
G7	
x8	


I2	
x4	

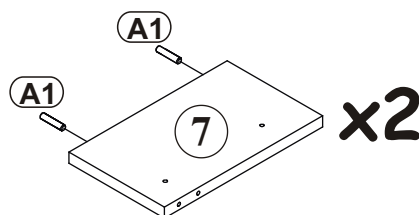
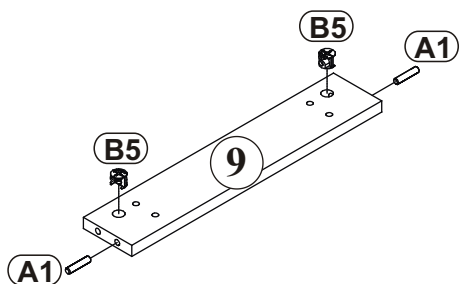
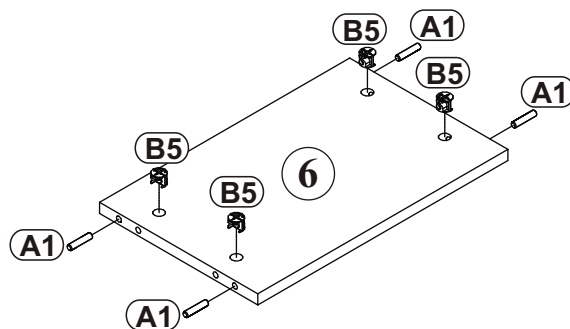
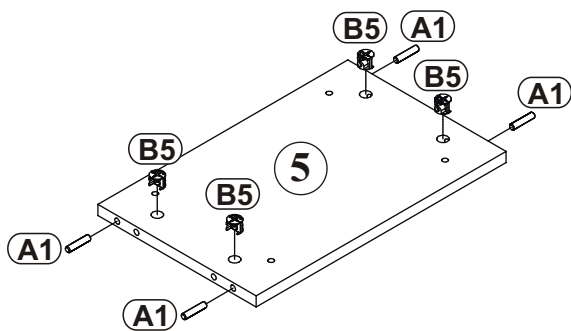
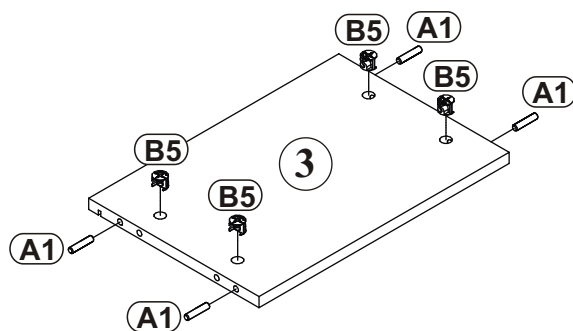
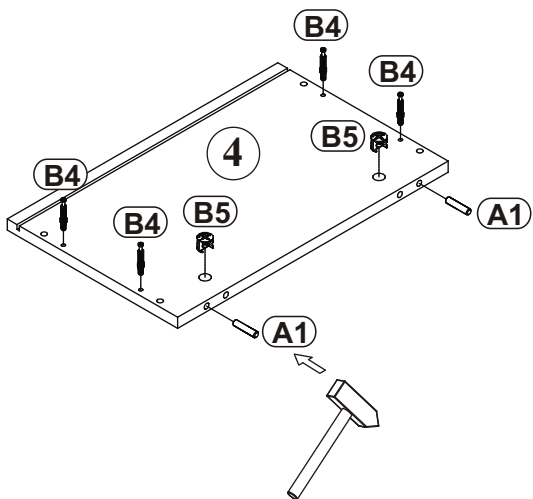
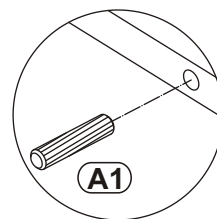
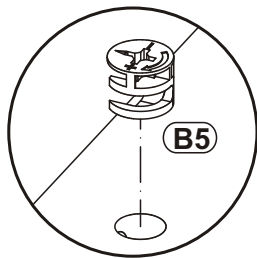
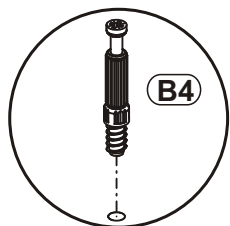


2

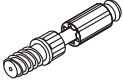
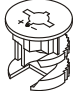
A1	
x20	ø8x36

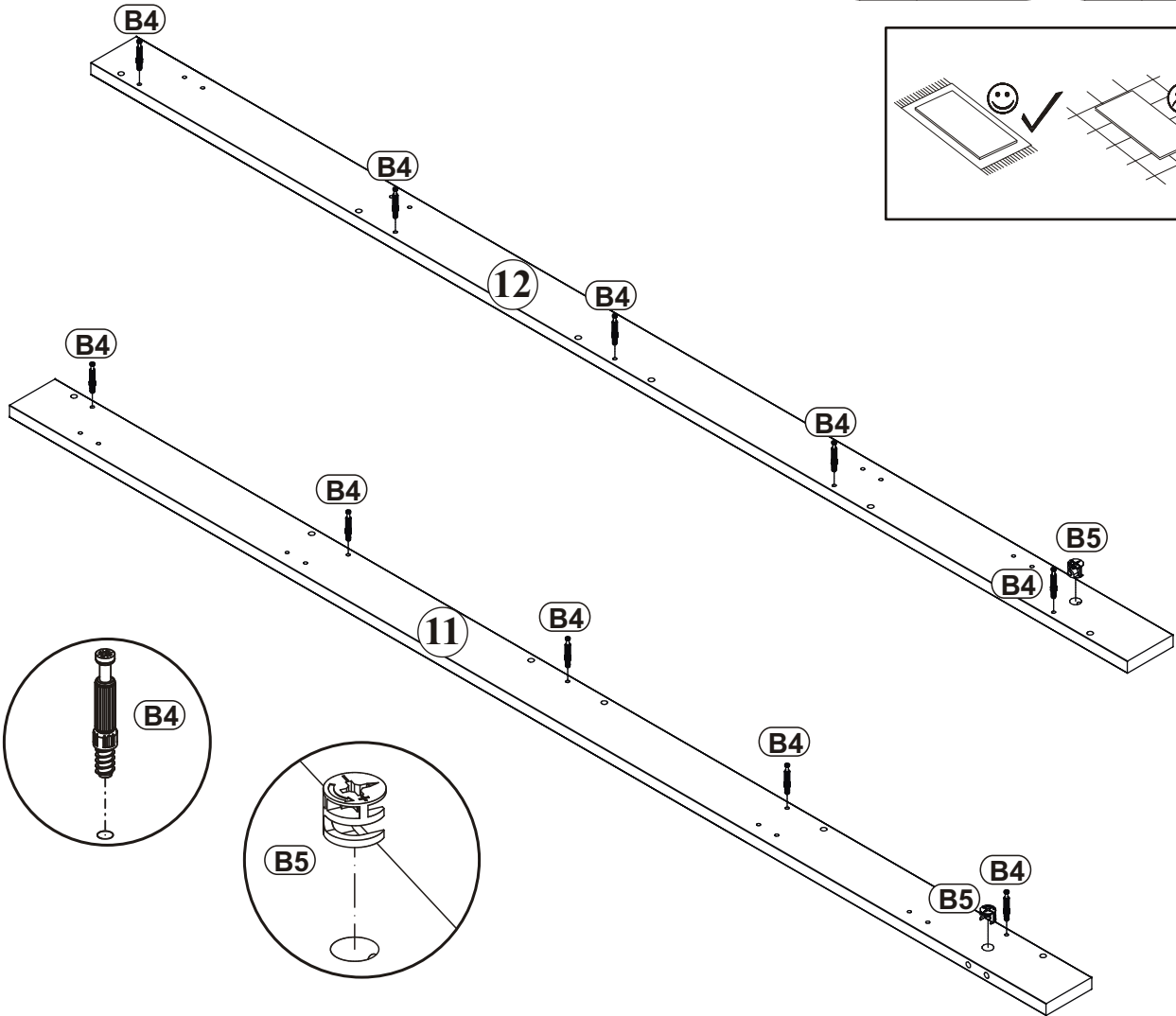
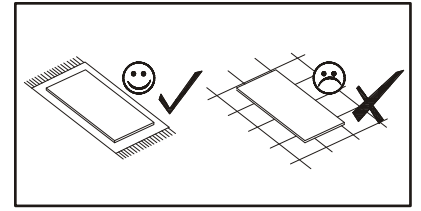
B4	
x4	

B5	
x16	ø15x12

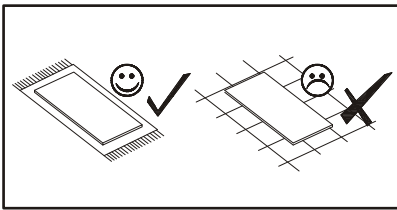


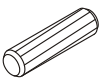
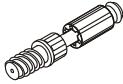
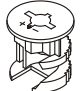
3

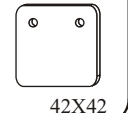

B4		B5	
x10		x2	ø15x12

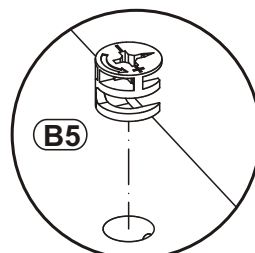
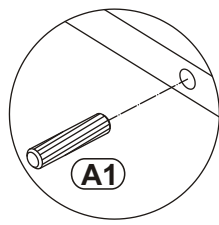
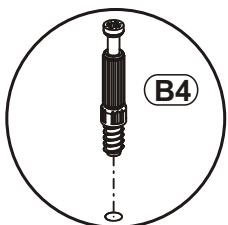
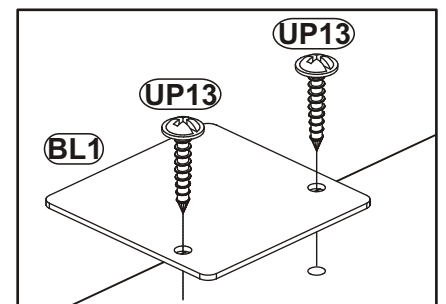
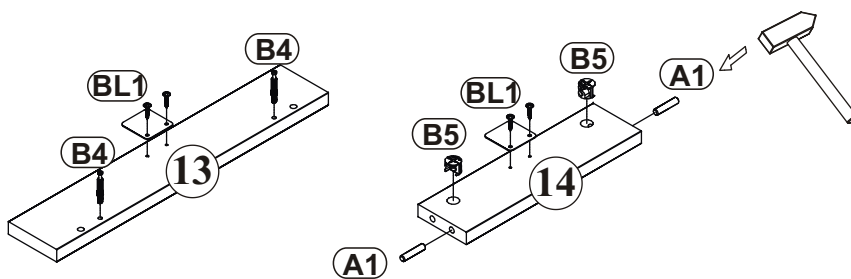


4

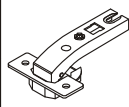



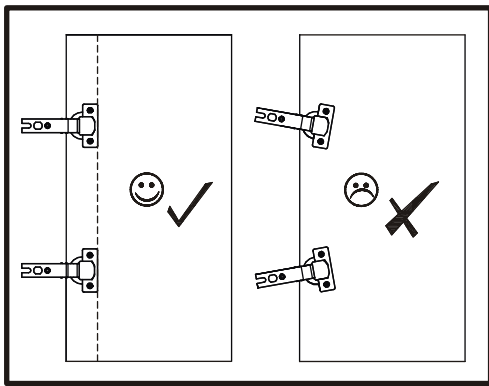
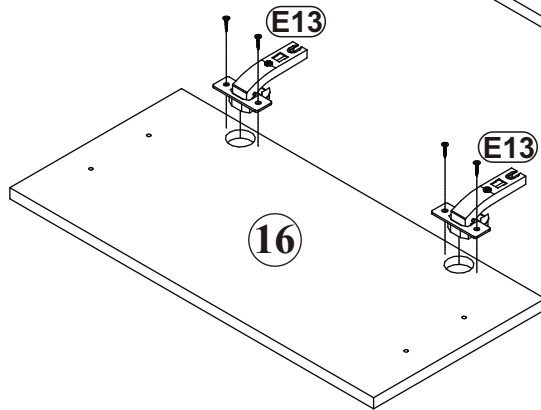
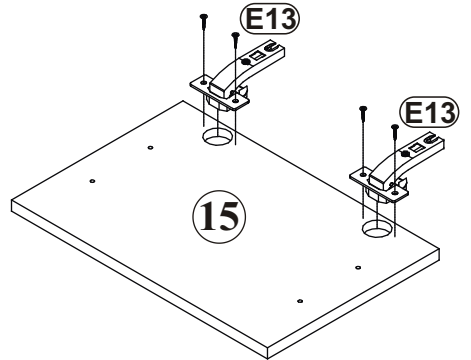
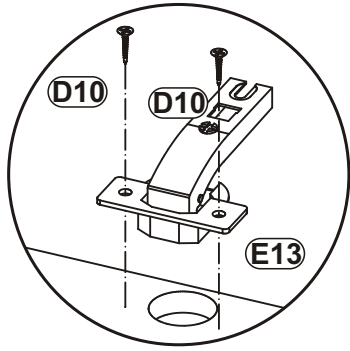
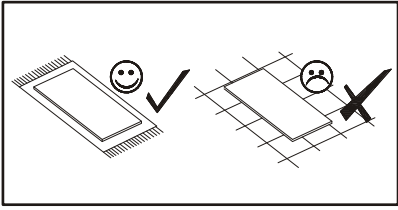
A1		B4		B5	
x2	ø8x36	x2		x2	ø15x12

BL1		UP13	
x2	42X42	x4	UPØ3x16

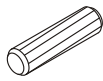
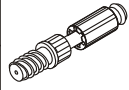



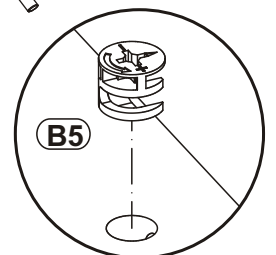
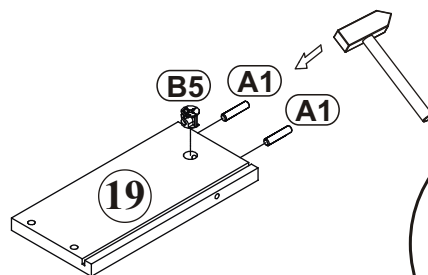
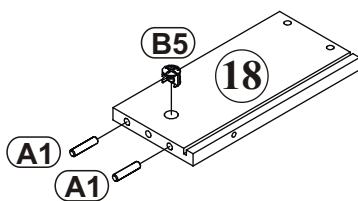
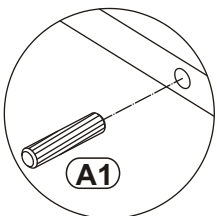
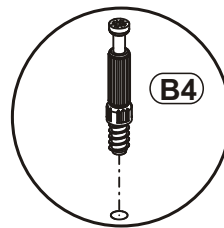
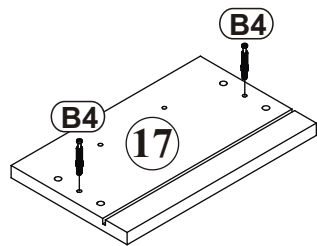
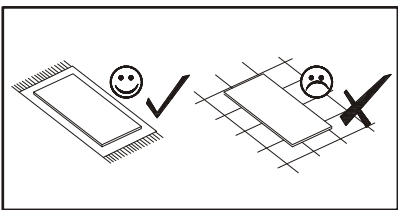
5

E13		D10	
x4		x8	USØ3,5x13





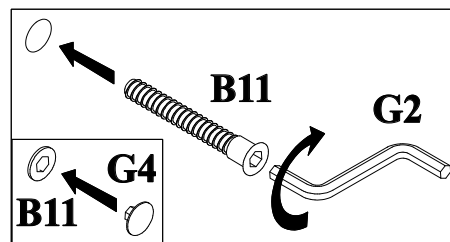
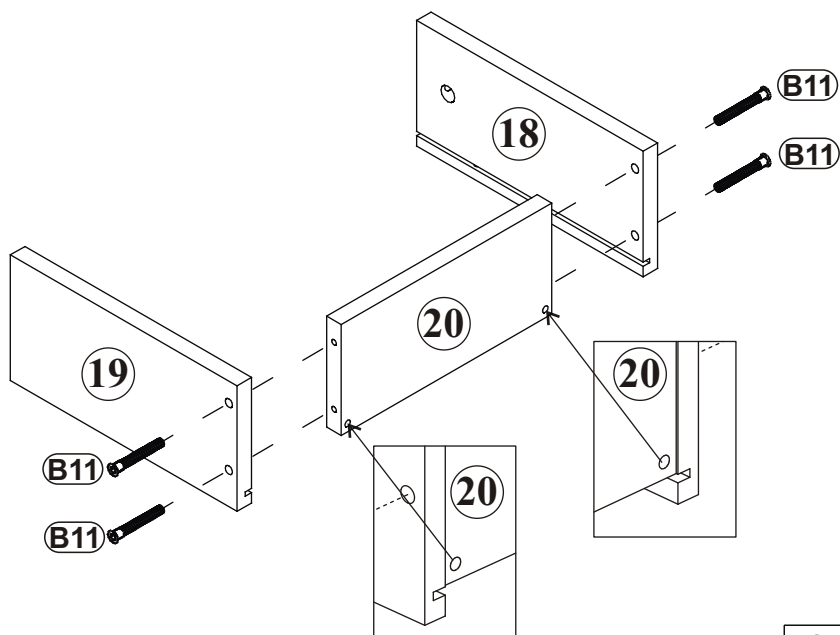
6

A1		B4		B5	
x4	ø8x36	x2		x2	ø15x12




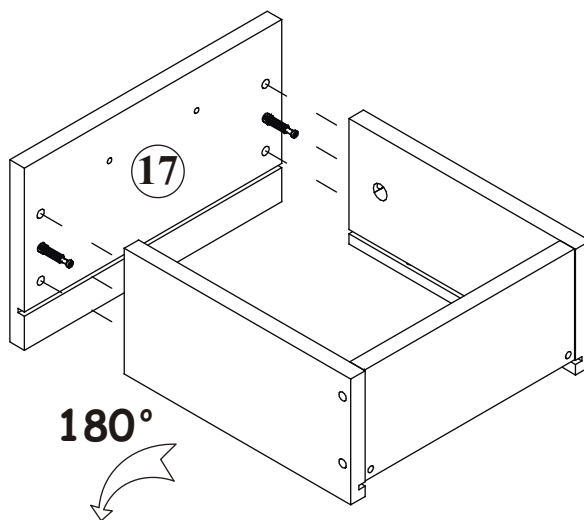
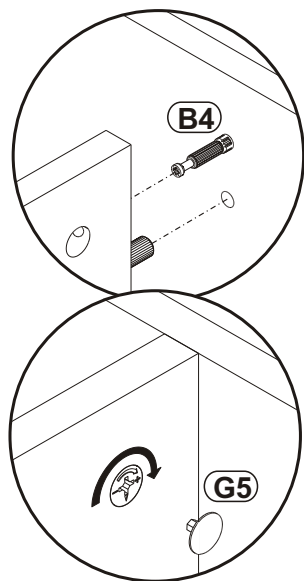
7

B11		G4	
x4	Ø7x50	x4	

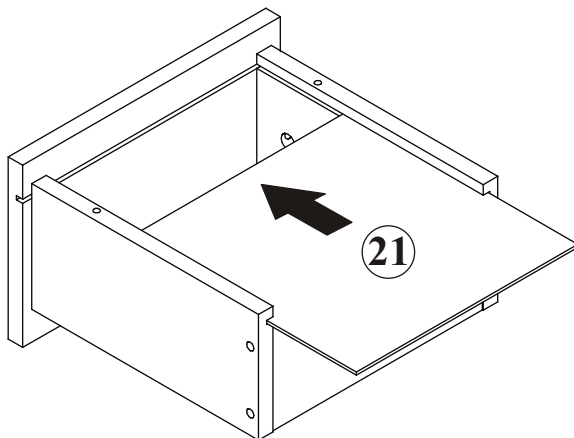


8

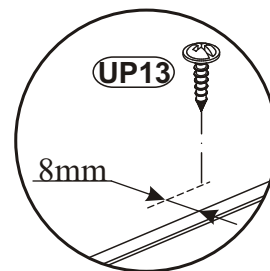
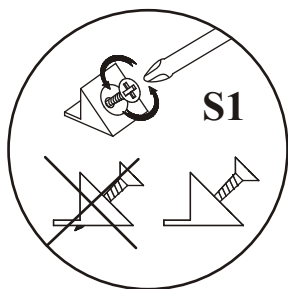
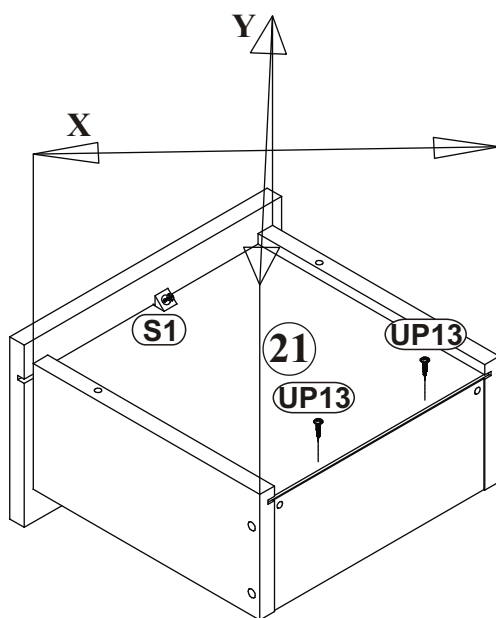
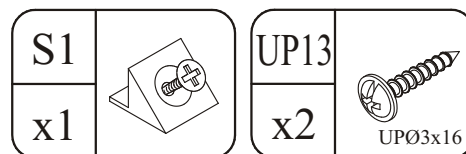
G5	
x2	



9




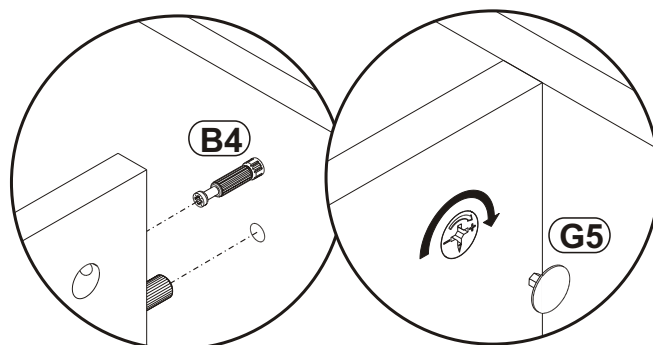
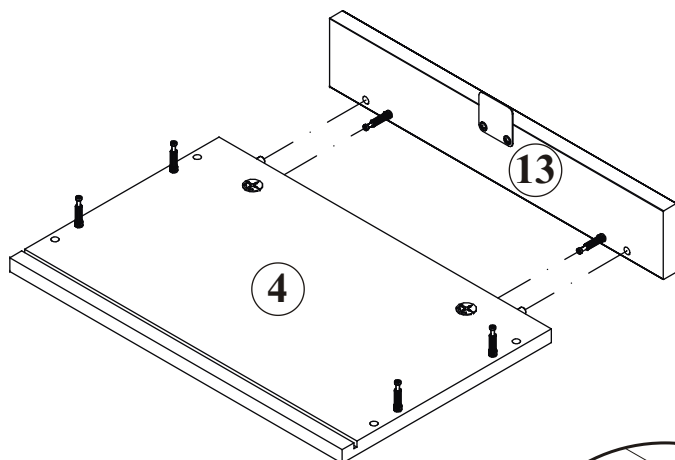
10



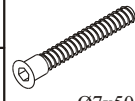



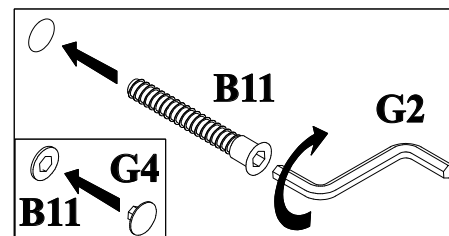
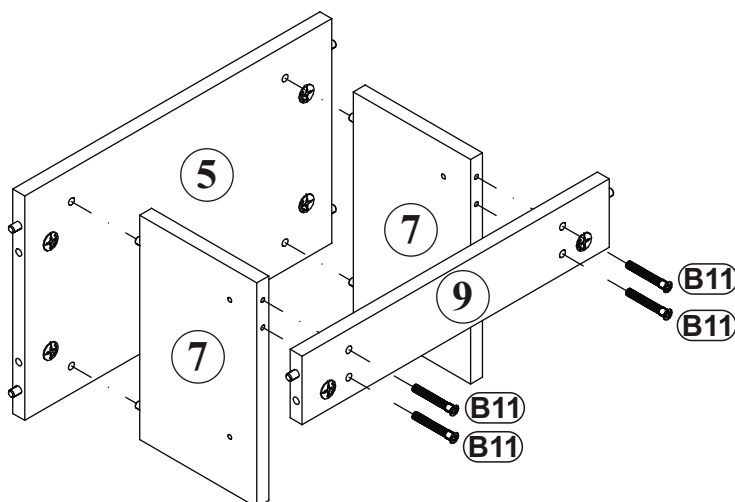
11

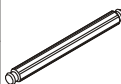
G5	
x2	




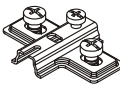
12

B11		G4	
x4		Ø7x50	

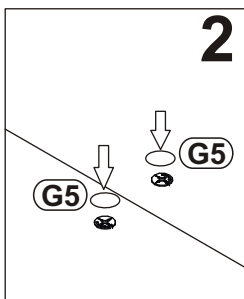
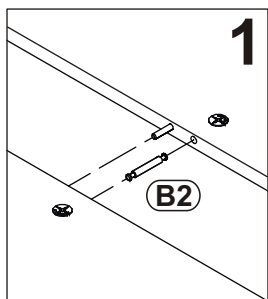
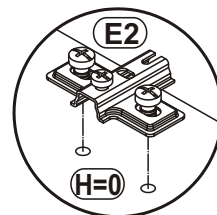
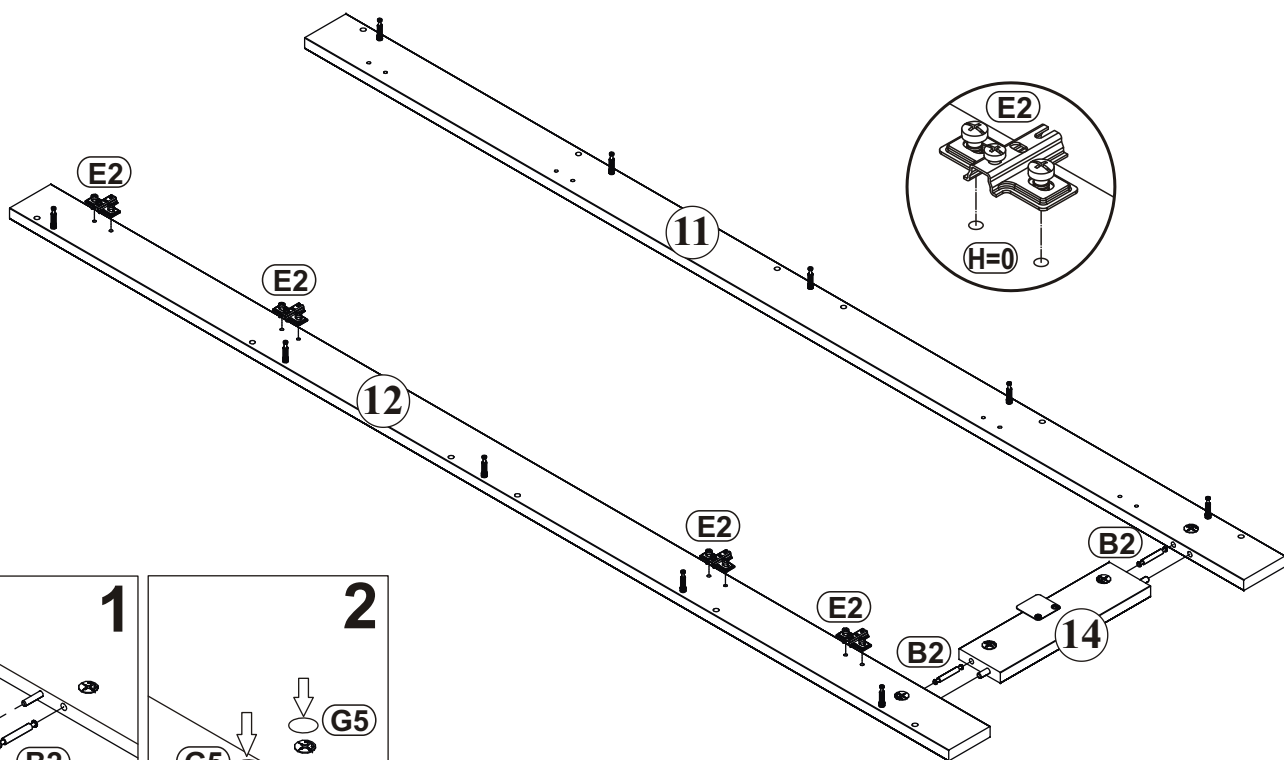
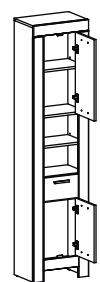


B2	
x2	Ø7x62

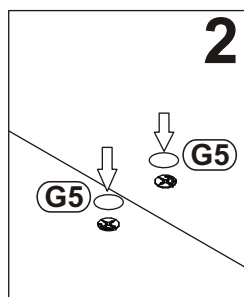
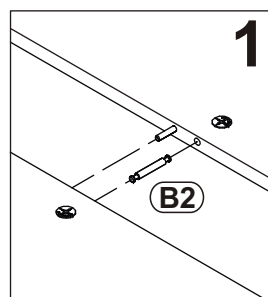
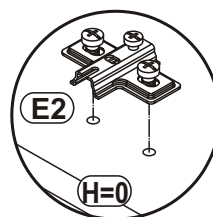
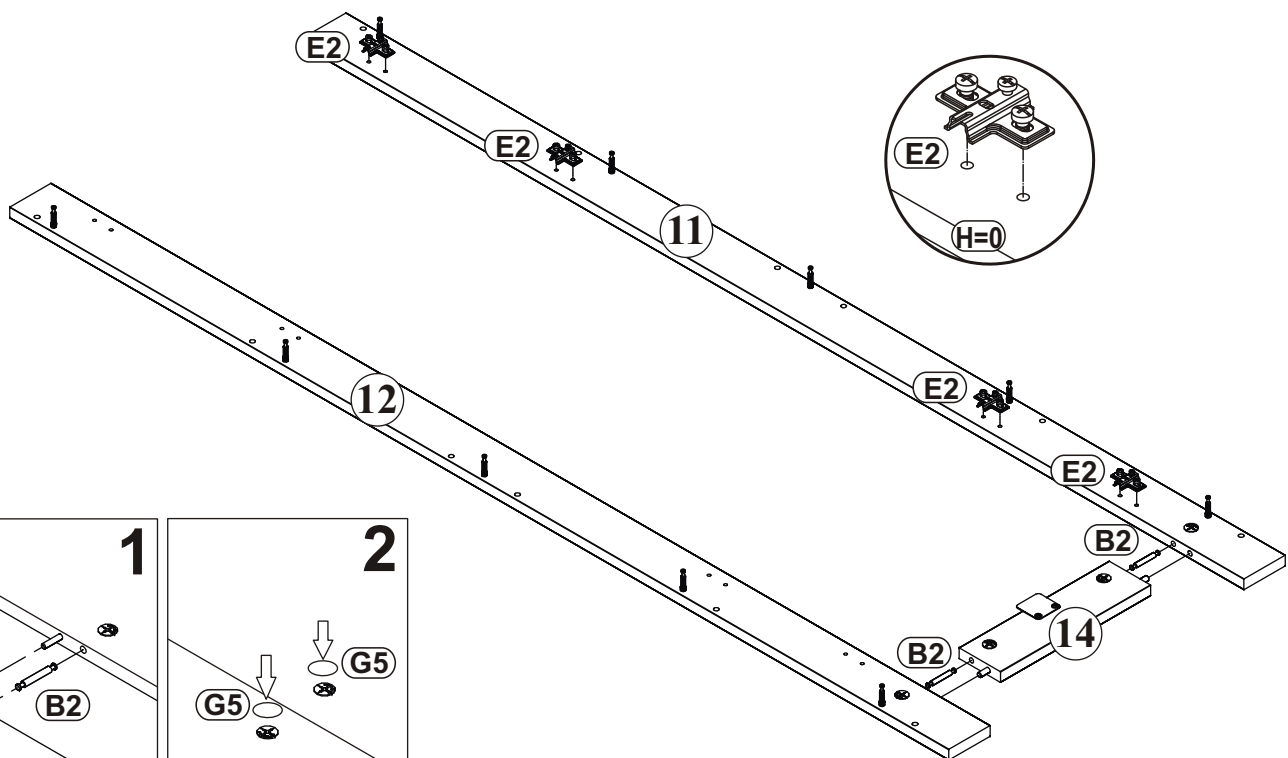
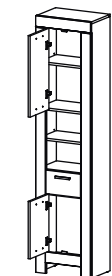
G5	
x4	


E12	
x4	H=2

13

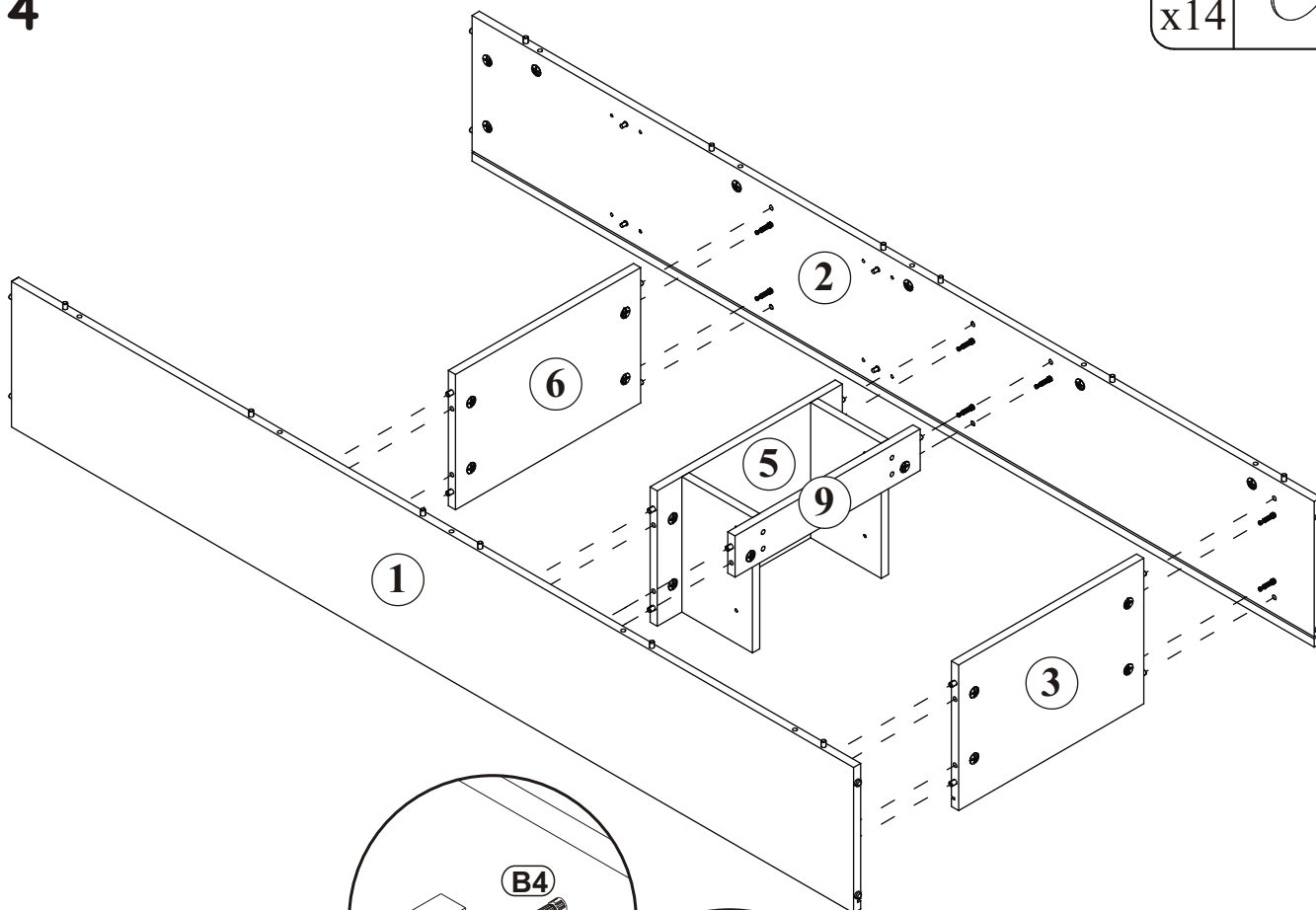


13




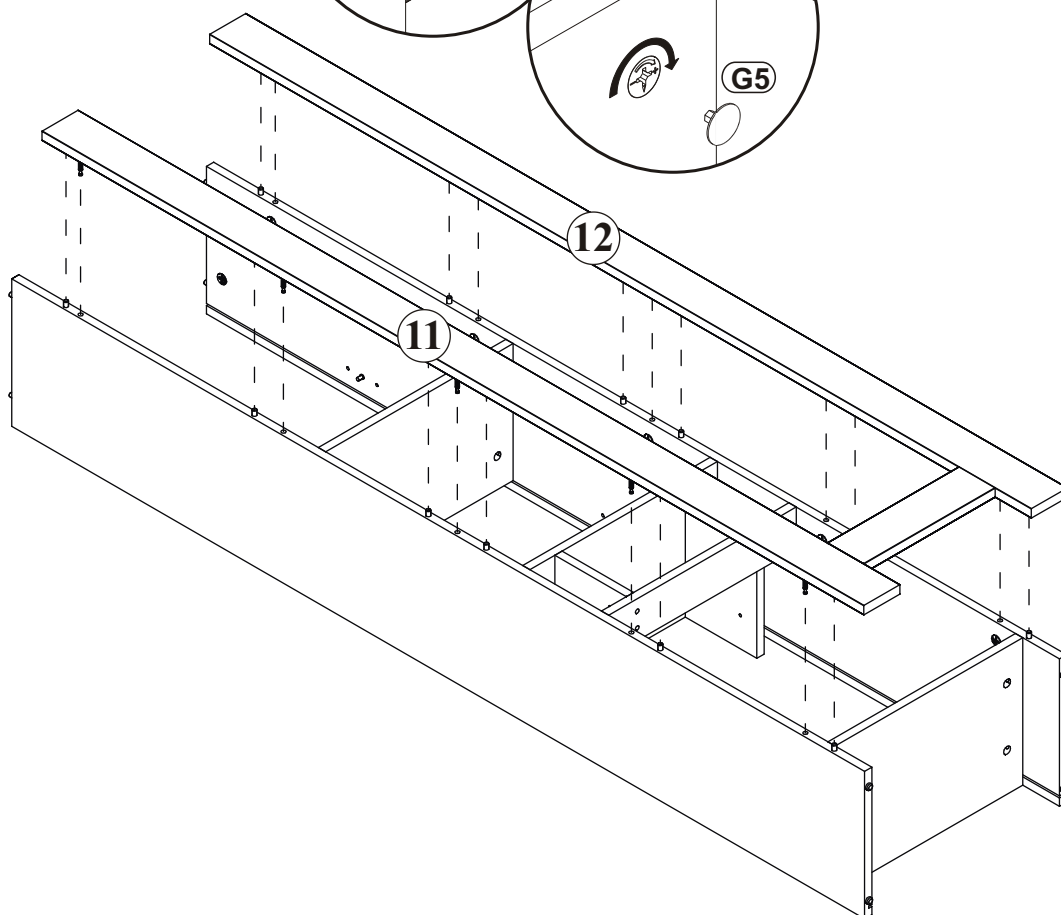
G5	
x14	

14

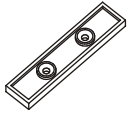
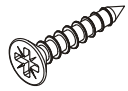


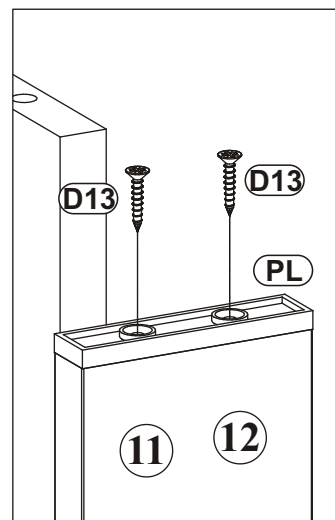
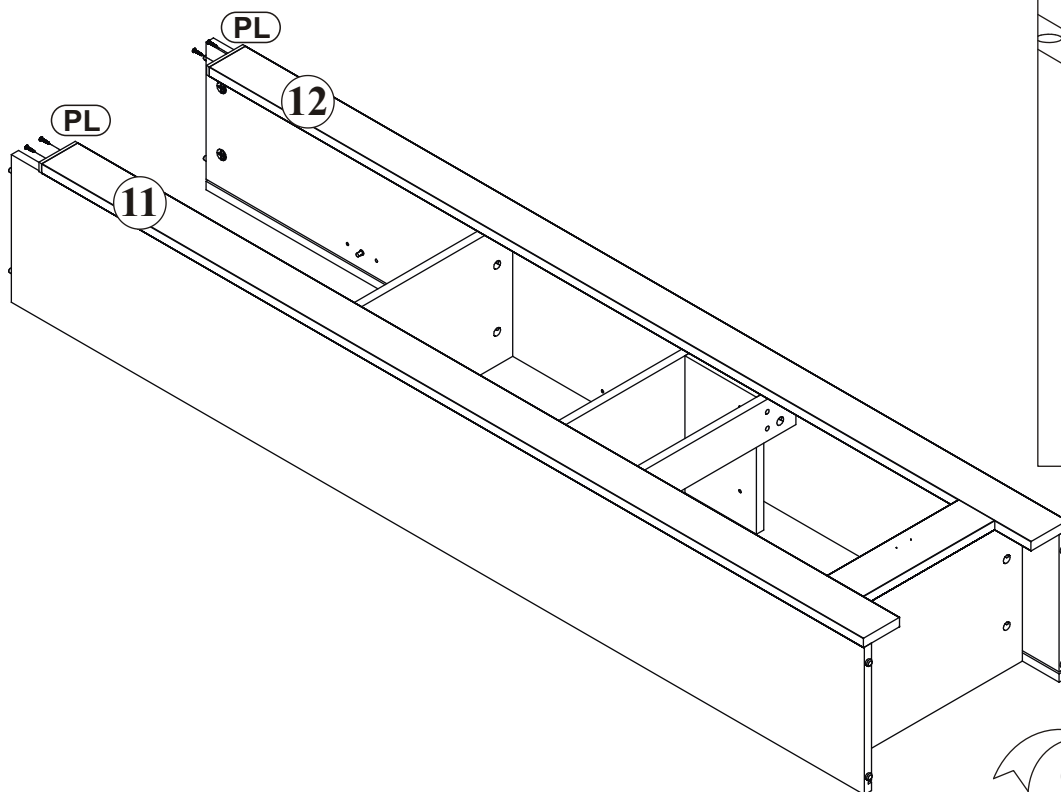
15

G5	
x10	



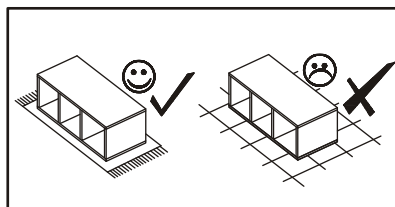
16


PL		D13	
x2		x4	USØ3,5x20

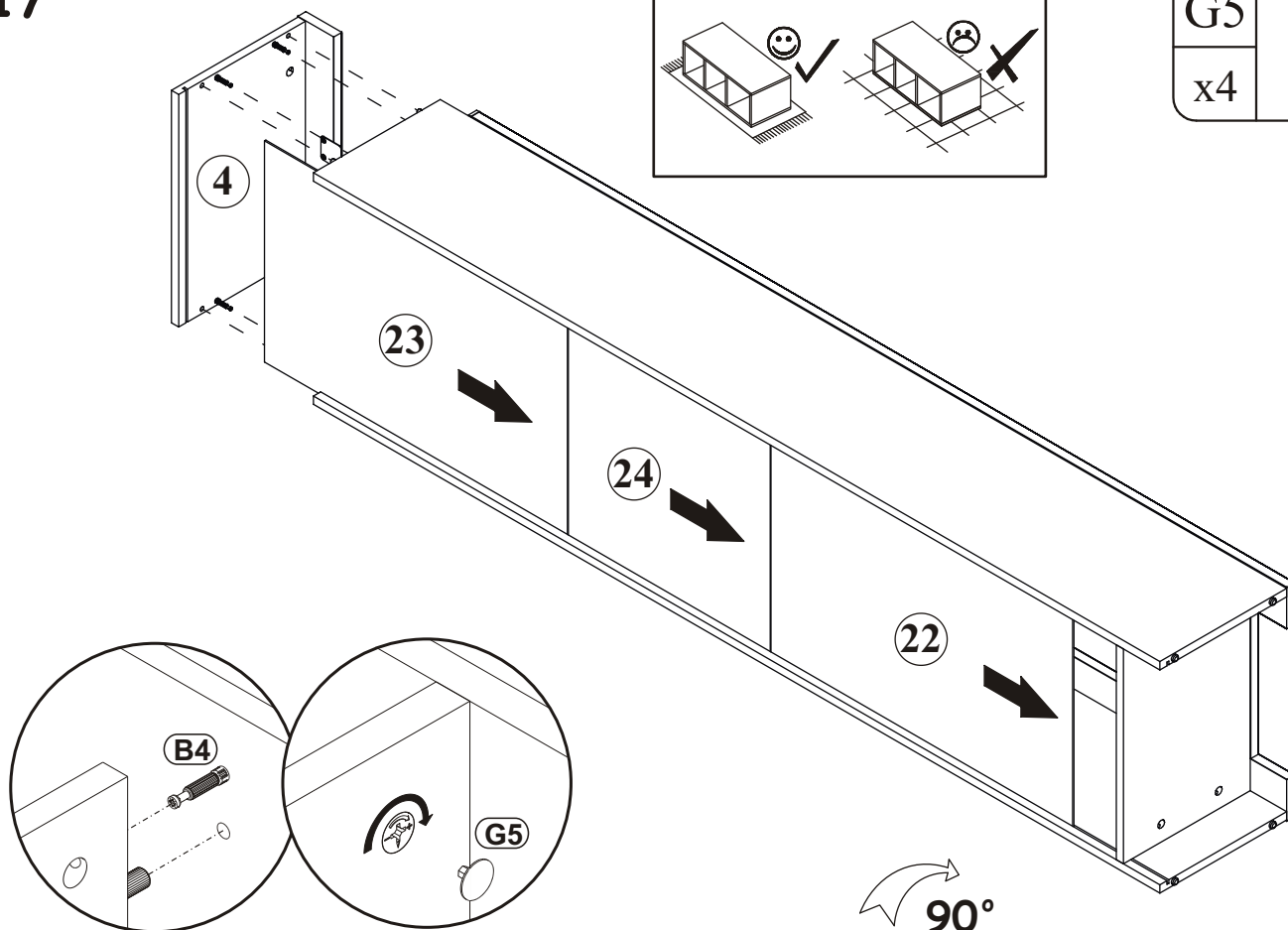


90°

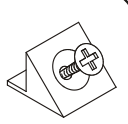
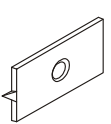

17



G5	
x4	

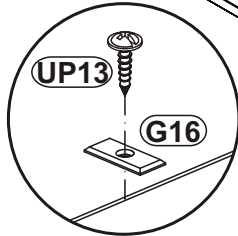
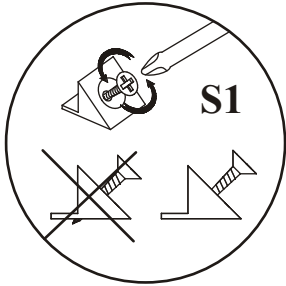
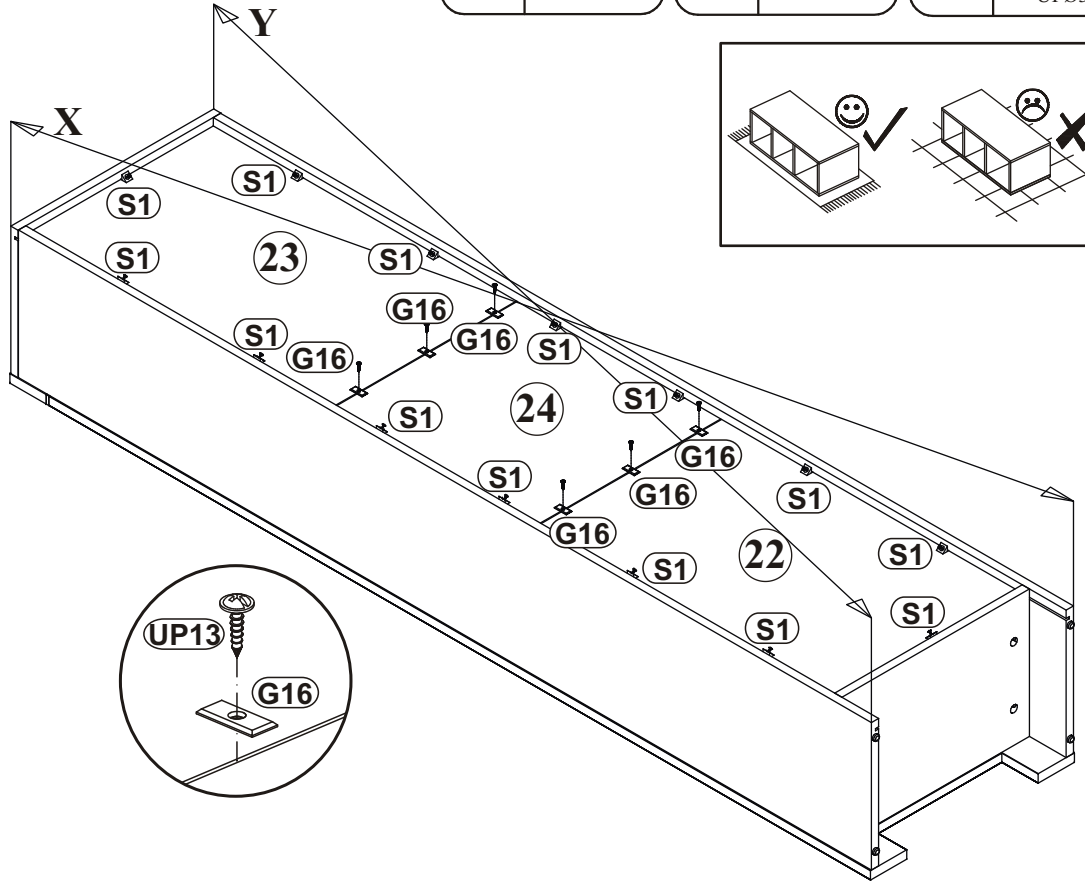
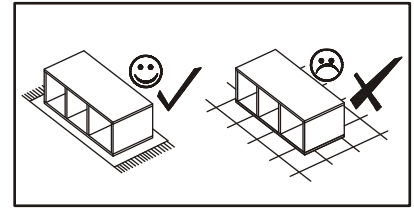
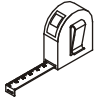


90°

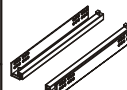

S1		G16		UP13	
x14		x6		x6	UPØ3x16


# 18

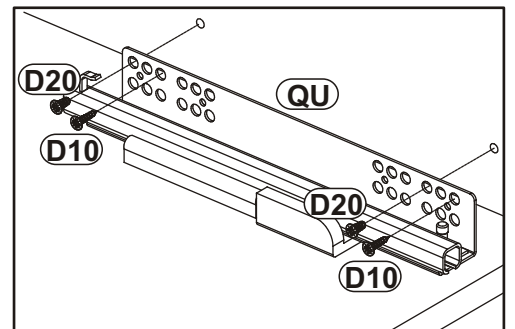
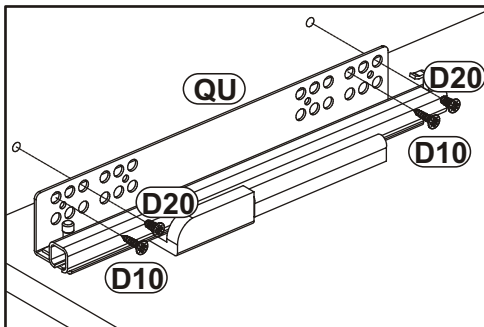
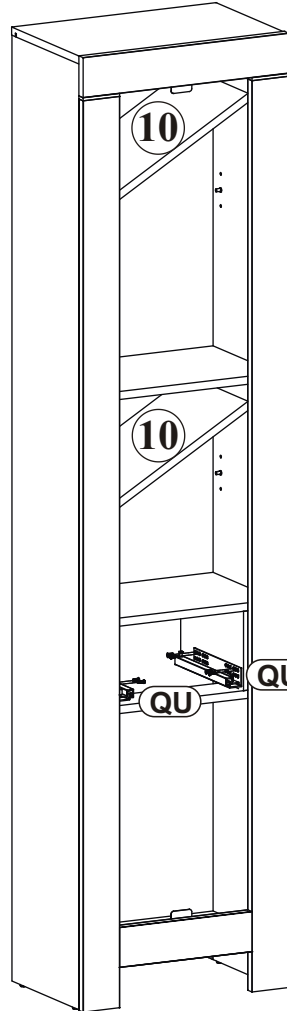
X=y 90°



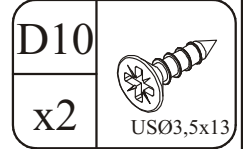
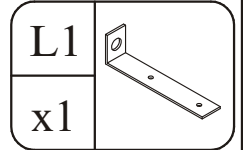
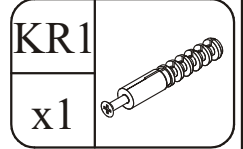
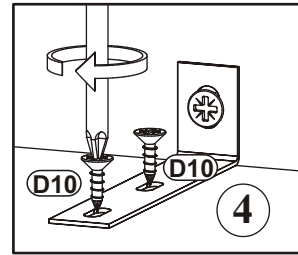
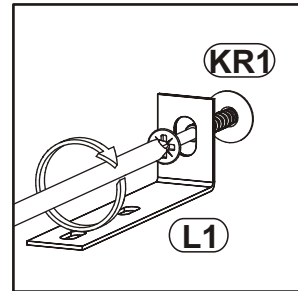
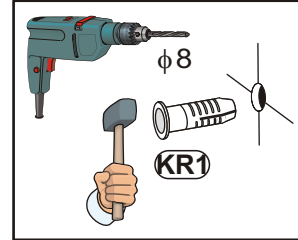
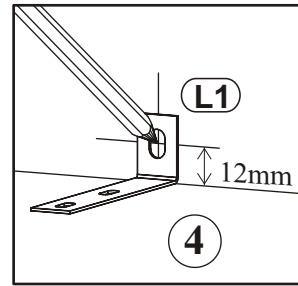
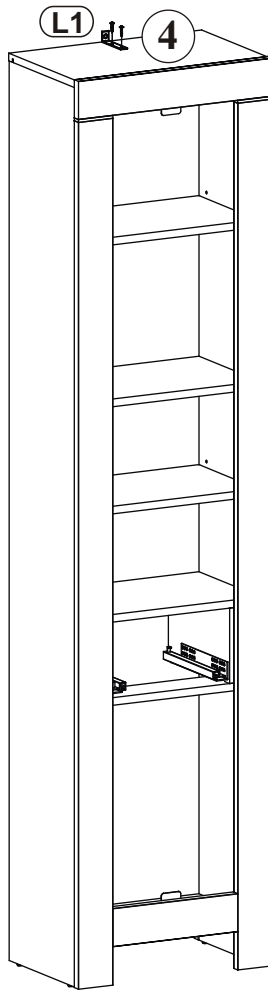
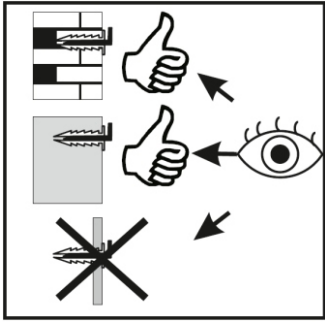
# 19

QU		D20	
x1	L-250mm	x4	ESØ6x9,5

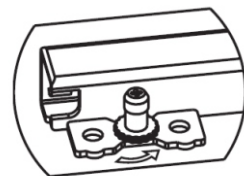
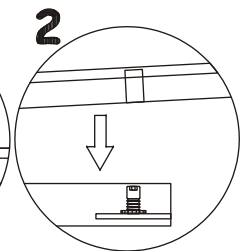
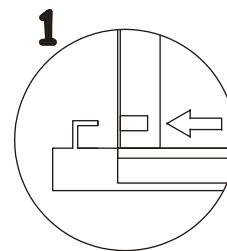
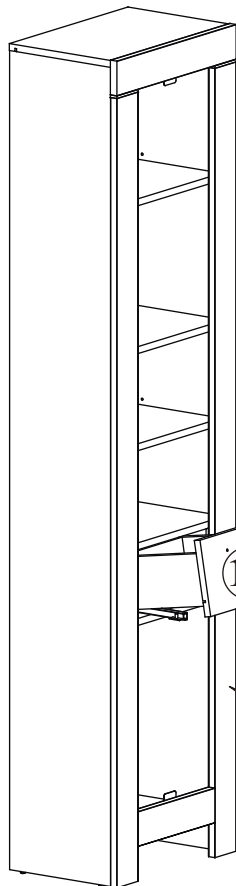
D10	
x4	USØ3,5x13



20

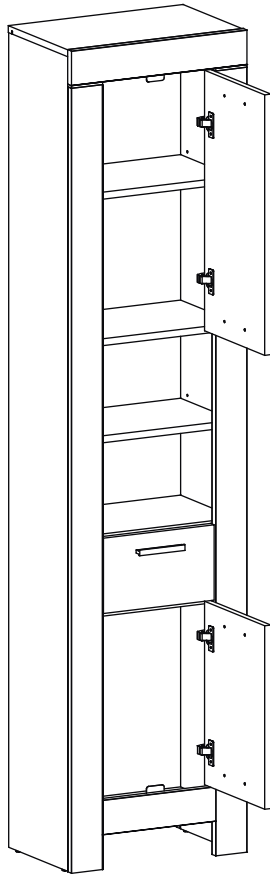


21

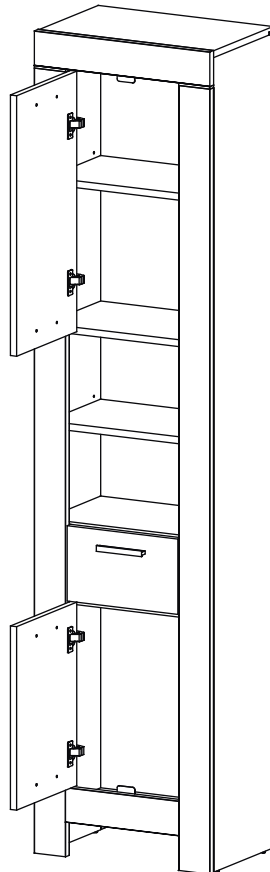


↑ +4 mm

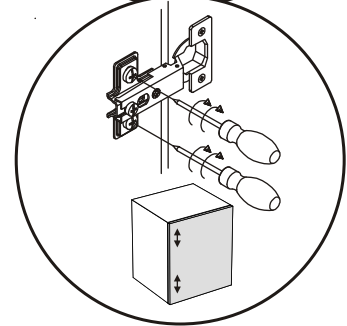
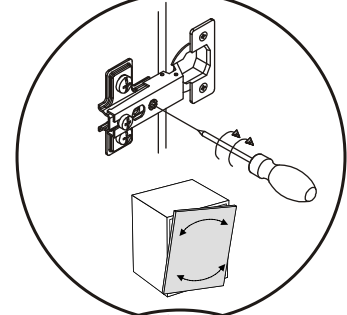
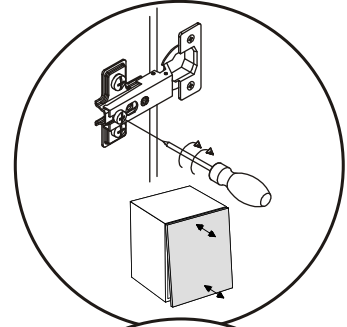
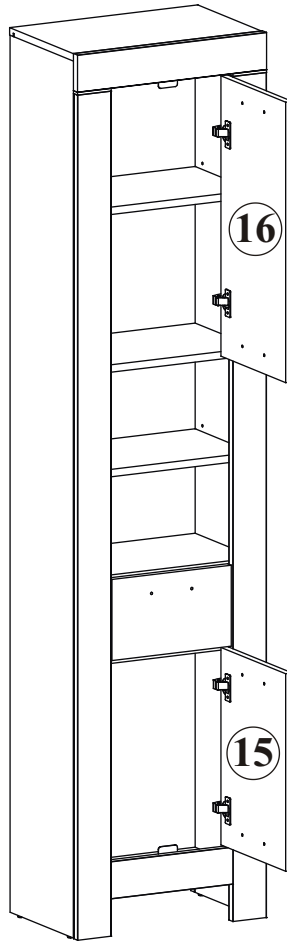
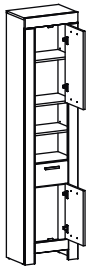
**22-24**



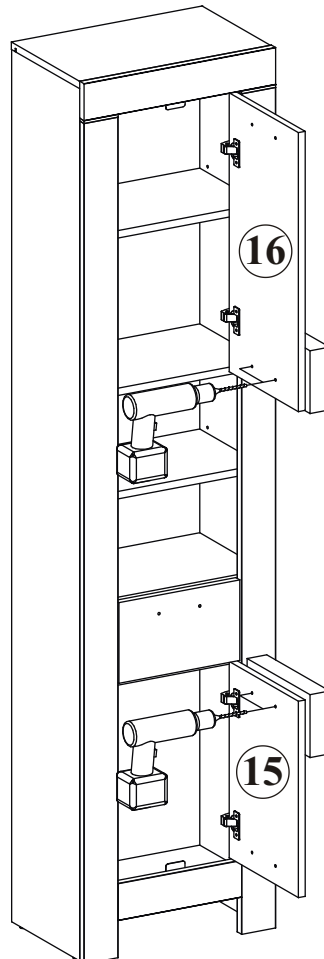
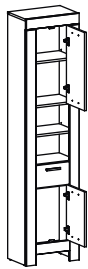
**25-27**



22

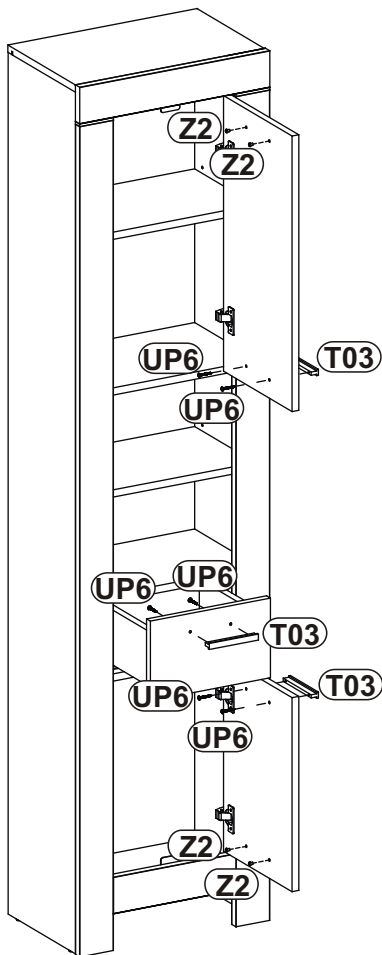


23

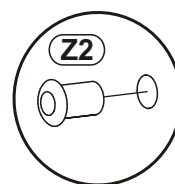




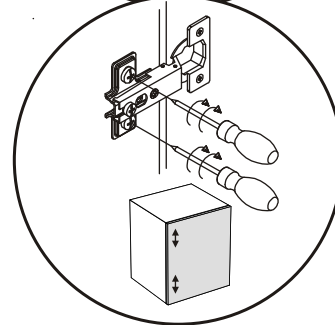
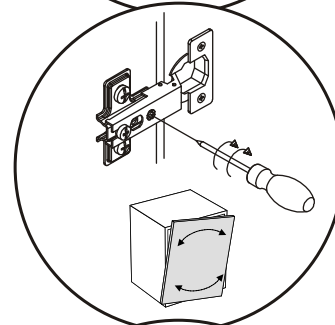
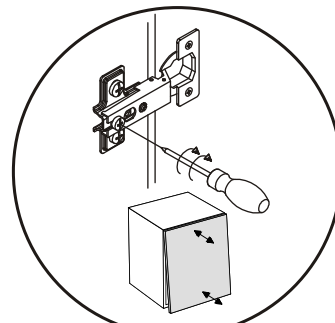
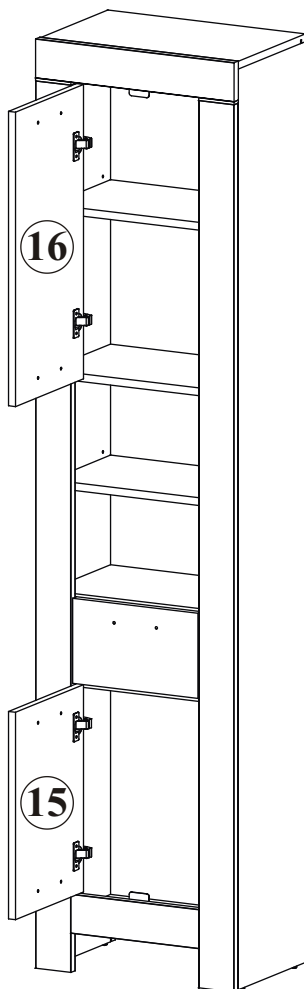
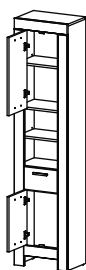
24



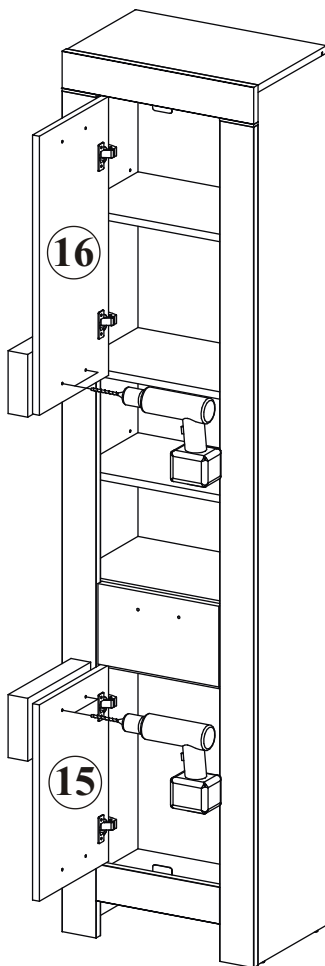
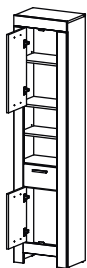
T03	
x3	L-116mm
UP6	
x6	UPØ4x30
Z2	
x4	Ø5



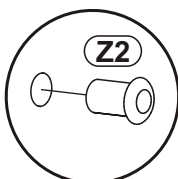
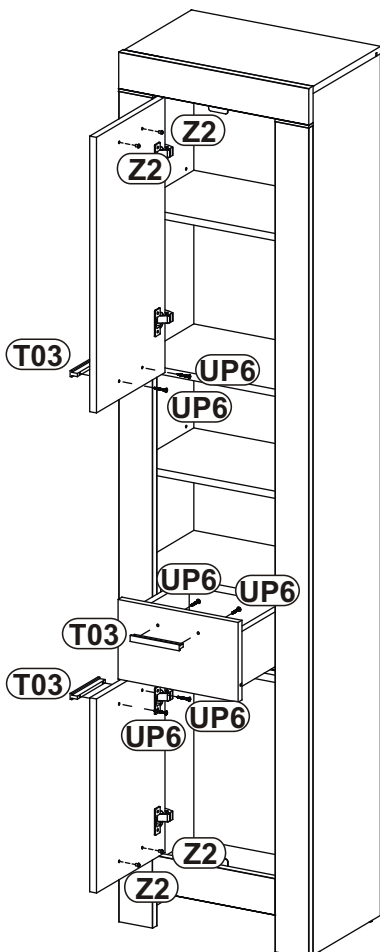
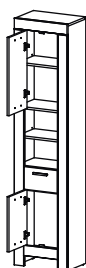
25




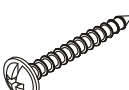
26




27



T03	
x3	L-116mm

UP6	
x6	UPØ4x30

Z2	
x4	Ø5